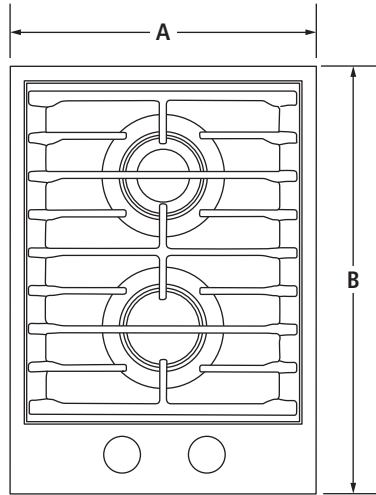


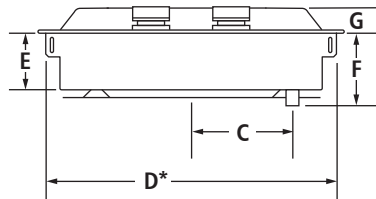
15" 2-BURNER MODULAR GAS COOKTOP

JGC3215G – 15" x 4<sup>5</sup>/<sub>32</sub>" x 21"

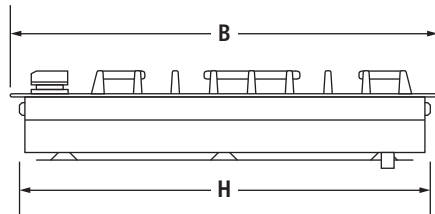
PRODUCT DIMENSIONS



TOP VIEW



FRONT VIEW



SIDE VIEW

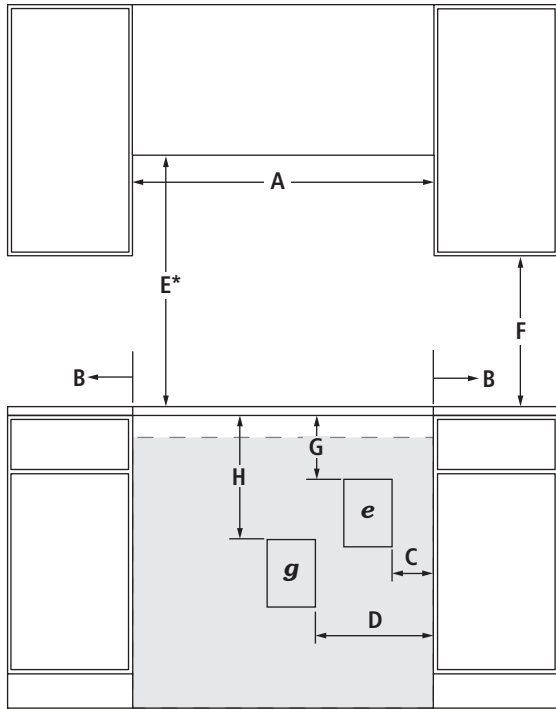
MODEL #		JGC3215G	
		in	cm
<b>A</b>	Overall width	15	38.1
<b>B</b>	Overall depth	21	53.3
<b>C</b>	Center of cooktop to center of gas inlet	4 <sup>2</sup> / <sub>32</sub>	11.8
<b>D*</b>	Width of cooktop base	14 <sup>1</sup> / <sub>64</sub>	36.3
<b>E</b>	Height of cooktop base	3/ <sub>4</sub>	8.3
<b>F</b>	Height from gas inlet to underside of cooktop	4 <sup>5</sup> / <sub>32</sub>	10.6
<b>G</b>	Height of cooktop with grates	1/ <sub>4</sub>	3.2
<b>H</b>	Depth of cooktop base	20 <sup>1</sup> / <sub>64</sub>	51.6

\*Measured from tab to tab. Tabs should not be bent during installation.

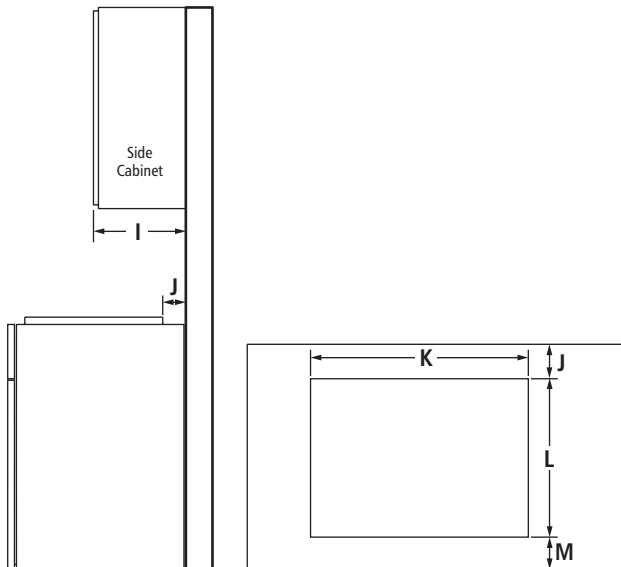
**IMPORTANT:** Dimensional specifications are provided for planning purposes only. Do not make any cutouts based on this information. Refer to the Installation Guide before selecting cabinetry, verifying electrical/gas connections, making cutouts or beginning installation. All Jenn-Air® appliances are appropriately UL, CUL or CSA approved.

15" 2-BURNER MODULAR GAS COOKTOP  
JGC3215G – 15" x 4<sup>5</sup>/<sub>32</sub>" x 21"

OPENING/CLEARANCE DIMENSIONS



FRONT VIEW



SIDE VIEW

TOP VIEW – CUTOUT

MODEL #		JGC3215G	
		in	cm
A	Width of combustable area above cooking surface (min.)	15	38.1
B	Width from cooktop to fixed wall or other combustable material (min.)	6	15.2
C	Width to outer edge of electrical outlet (recommended)	9	22.9
D	Width to gas supply line location (recommended)	12	30.5
E*	Height to bottom of uncovered wood or metal cabinet above cooking surface (min.)	30	76.2
F	Height to bottom of uncovered wood or metal cabinet (min.)	18	45.7
G	Height to top edge of electrical outlet (min.)	18	45.7
H	Height to gas supply line location (recommended)	18	45.7
I	Depth of upper cabinet (recommended)	13	33.0
J	Depth from cutout to wall (min.)	2 <sup>5</sup> / <sub>16</sub>	5.9
K	Width of cutout (recommended)	14 <sup>3</sup> / <sub>8</sub>	36.5
L	Depth of cutout (recommended)	20 <sup>3</sup> / <sub>8</sub>	51.8
M	Depth from cutout to front of countertop	2 <sup>5</sup> / <sub>16</sub>	5.9
e	Recommended electrical access location		
g	Recommended gas supply line location		

\*Dimension can be reduced by 6" (15.2 cm) when bottom of wood or metal cabinet is covered by not less than ¼" (0.6 cm) flame retardant millboard covered with not less than No. 28 MSG sheet metal, 0.015" (0.4 mm) stainless steel, 0.024" (0.6 mm) aluminum or 0.020" (0.5 mm) copper. If installing a hood or microwave hood combination above the cooktop, follow the hood or microwave hood combination instructions for dimensional clearances above the cooking surface.

**GAS REQUIREMENTS**

**Natural Gas**

This cooktop is factory-set for use with natural gas.

**LP Gas Conversion**

Conversion must be done by a qualified service technician. To convert to LP gas, use an LP gas conversion kit.

**ELECTRICAL REQUIREMENTS**

120 volt, 60 Hz, AC only, 15-amp fused, electrical circuit is required. A time-delay fuse or dedicated circuit is recommended.

**LOCATION REQUIREMENTS**

- To ensure cooktop base clearance, cabinet side walls need to be wider than the cutout
- If cabinet has a drawer, allow a 4" (10.2 cm) minimum clearance between countertop and top of drawer. Drawer depth may need to be shortened to avoid interfering with the regulator.

**IMPORTANT:** Dimensional specifications are provided for planning purposes only. Do not make any cutouts based on this information. Refer to the Installation Guide before selecting cabinetry, verifying electrical/gas connections, making cutouts or beginning installation. All Jenn-Air® appliances are appropriately UL, CUL or CSA approved.