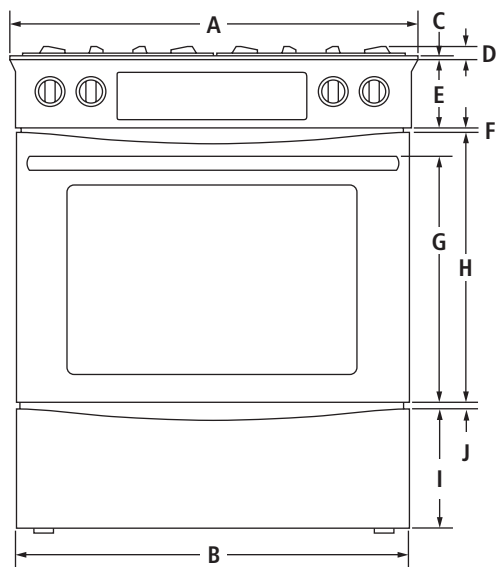


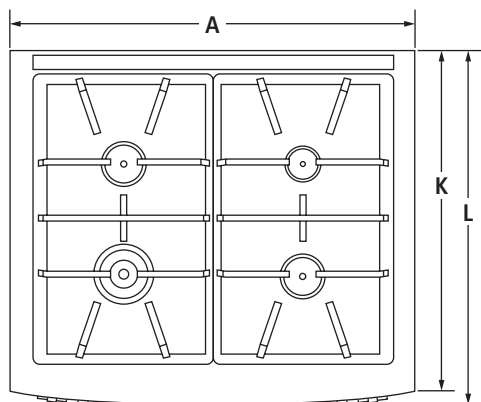
30" SLIDE-IN DUAL-FUEL AND GAS RANGES

JDS8850CD, JGS8850CD – 30<sup>3</sup>/<sub>4</sub>" x 37<sup>5</sup>/<sub>8</sub>" x 28<sup>7</sup>/<sub>8</sub>"

PRODUCT DIMENSIONS



FRONT VIEW



TOP VIEW

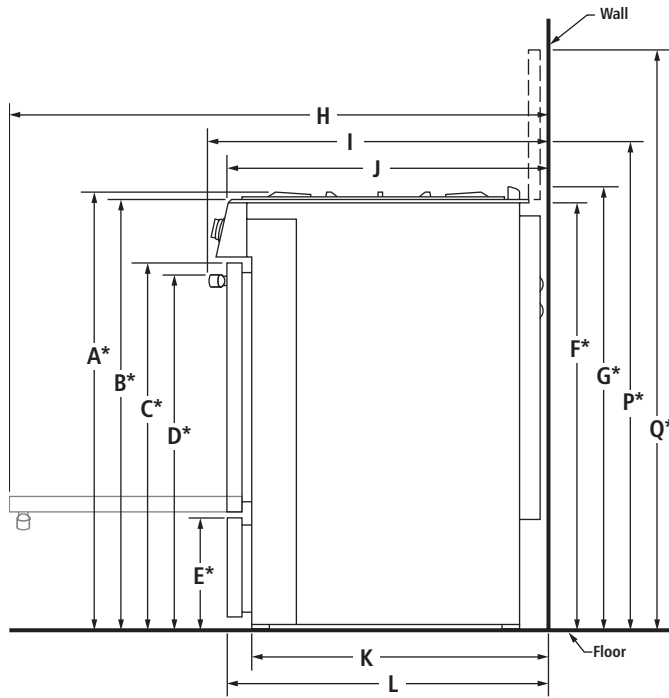
MODEL #	JDS8850CD JGS8850CD	
	in	cm
<b>A</b> Overall width	30 <sup>3</sup> / <sub>4</sub>	78.1
<b>B</b> Width of door/drawer	Euro-Style Stainless	30 <sup>1</sup> / <sub>8</sub> 76.5
	Floating Glass	29 <sup>7</sup> / <sub>8</sub> 75.9
<b>C</b> Height of cooking surface	<sup>3</sup> / <sub>8</sub>	1.1
<b>D</b> Height with grates		1 <sup>7</sup> / <sub>8</sub> 4.7
	Height with vent*	1 <sup>3</sup> / <sub>4</sub> 4.4
<b>E</b> Height of control panel	4 <sup>1</sup> / <sub>8</sub>	10.6
<b>F</b> Space between door and control panel	<sup>5</sup> / <sub>8</sub>	1.5
<b>G</b> Height to top of handle	18 <sup>3</sup> / <sub>4</sub>	47.5
<b>H</b> Height of door	20 <sup>1</sup> / <sub>4</sub>	51.5
<b>I</b> Height of warming drawer	8 <sup>5</sup> / <sub>8</sub>	22.0
<b>J</b> Space between door and warming drawer	<sup>5</sup> / <sub>8</sub>	1.5
<b>K</b> Depth to corner of control panel	24 <sup>1</sup> / <sub>4</sub>	61.5
<b>L</b> Depth to center of control panel	25 <sup>1</sup> / <sub>4</sub>	64.0

\*Model JGS8850CD.

30" SLIDE-IN DUAL-FUEL AND GAS RANGES

JDS8850CD, JGS8850CD – 30¾" x 37⅝" x 28⅞"

DIMENSIONS AS INSTALLED



SIDE VIEW

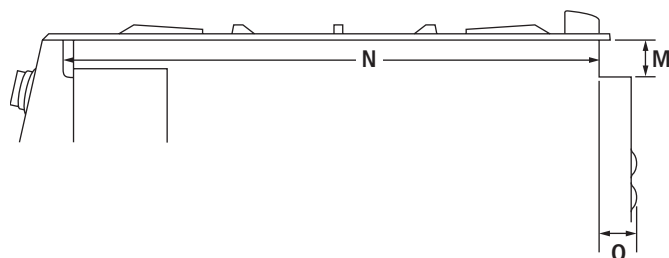
MODEL #		JDS8850CD JGS8850CD	
		in	cm
A*	Height to top of grates (min.)	37⅝	95.5
B*	Height to top of cooking surface (min.)	36⅞	91.7
C*	Height to top of door (min.)	31	78.5
D*	Height to top of handle (min.)	29⅞	74.0
E*	Height to top of lower panel (min.)	9⅞	25.2
F*	Height to top of countertop (min.)	35¾	90.8
G*	Height to top of vent (min.)**	37½	95.2
H	Depth with door fully open	45⅜	115.2
I	Depth with handle	28⅞	73.2
J	Depth to center of control panel	26¾	68.0
K	Depth without door	24½	62.2
L	Depth with door	26⅜	67.0
M	Height of countertop channel	1⅝	4.0
N	Depth from control panel notch to countertop channel	23	58.4
O	Depth to countertop channel	1⅝	4.0

OPTIONAL ACCESSORIES

P*	Height to top of 6" stainless steel backsplash (min.)	41¾	106.0
Q*	Height to top of 12" stainless steel backsplash (min.)	47¾	121.3

\*Add up to 1¾" (4.4 cm) to height with leg levelers fully extended.

\*\*Model JGS8850CD.

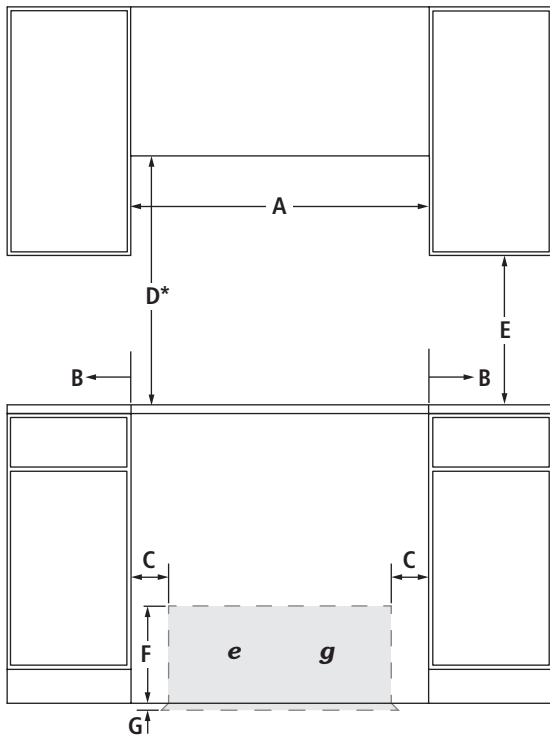


SIDE VIEW – COUNTERTOP CHANNEL DETAIL

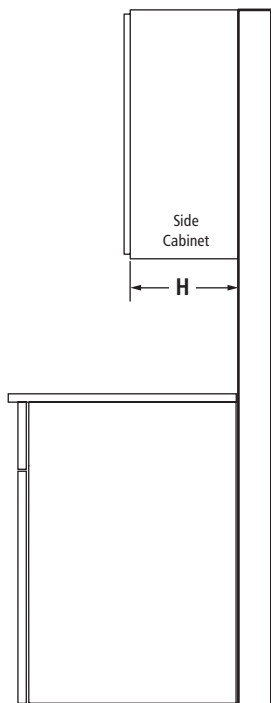
30" SLIDE-IN DUAL-FUEL AND GAS RANGES

JDS8850CD, JGS8850CD – 30¾" x 37⅝" x 28⅞"

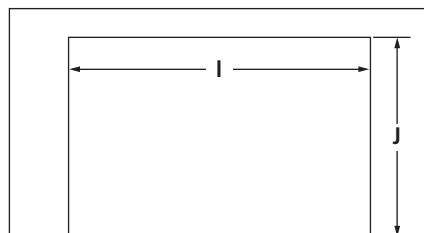
OPENING/CLEARANCE DIMENSIONS



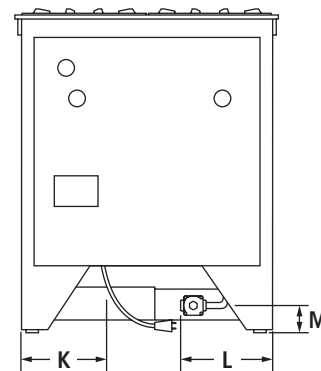
FRONT VIEW



SIDE VIEW



TOP VIEW – CUTOUT



BACK VIEW

MODEL #		JDS8850CD	
		JGS8850CD	
		in	cm
<b>A</b>	Width of combustable area above cooking surface (min.)	30	76.2
<b>B</b>	Width from cooktop to fixed wall or other combustable material (min.)	3	7.6
<b>C</b>	Width from electrical installation area to cabinet (min.)	5½	14.0
<b>D*</b>	Height to bottom of uncovered wood or metal cabinet above cooking surface (min.)	30	76.2
<b>E</b>	Height to bottom of uncovered wood or metal cabinet (min.)	18	45.7
<b>F</b>	Height of electrical installation area (max.)	10	25.4
<b>G</b>	Depth of electrical installation area (max.)	2¼	5.7
<b>H</b>	Depth of upper cabinet (recommended)	13	33.0
<b>I</b>	Width of cutout (min.)	30	76.2
<b>J</b>	Depth of cutout	23	58.4
<b>K</b>	Width to power cord	4¾	11.0
<b>L</b>	Width to gas inlet	9	23.0
<b>M</b>	Height to gas inlet	3⅞	8.0
<b>e</b>	Recommended junction box location		
<b>g</b>	Recommended gas access location		

\*Dimension can be reduced by 6" (15.2 cm) when bottom of wood or metal cabinet is covered by not less than ¼" (0.6 cm) flame retardant millboard covered with not less than No. 28 MSG sheet metal, 0.015" (0.4 mm) stainless steel, 0.024" (0.6 mm) aluminum or 0.020" (0.5 mm) copper.

If installing a hood or microwave hood combination above the range, follow the hood or microwave hood combination instructions for dimensional clearances above the cooking surface.

**ELECTRICAL REQUIREMENTS**

**JDS8850CD:** 240 volt, 60 Hz, AC only, 40-amp fused, grounded circuit is required. A dedicated circuit is recommended. Minimum length of power cord is 48" (121.9 cm).

**JGS8850CD:** 120 volt, 60 Hz, AC only, 15-amp fused, grounded circuit is required. A dedicated circuit is recommended. Minimum length of power cord is 48" (121.9 cm).

# JENN-AIR® DETAILED PLANNING DIMENSIONS

## VENTILATION SELECTION CHART – RANGETOPS AND RANGES

MODEL #	PRO-STYLE™ HOODS			EURO-STYLE ISLAND-MOUNT HOODS		EURO-STYLE WALL-MOUNT HOODS		GLASS COLLECTION ISLAND-MOUNT HOOD	GLASS COLLECTION WALL-MOUNT HOODS		PERIMETRIC HOOD	OILED BRONZE WALL-MOUNT HOODS		EURO-STYLE TELESCOPING DOWNDRAFT SYSTEMS	CUSTOM HOOD LINERS		OVER-THE-RANGE MICROWAVE OVENS
	JXW9048WP	JXW9036WP JXU9136WP	JXW9030WP JXU9130WP	JXI8042WS	JXI8036WS	JXW8036WS JXW8836WS	JXW8030WS	JXI5036WS	JXW5036WS	JXW5030WS	JXP5032WS	JXW6036WR	JXW6030WR	JXD7036YS JXD7030YS	1200 or 600 CFMA	600 CFMB	JMV9186W JMV8208W
<b>PRO-STYLE® RANGETOPS</b>																	
<b>48-INCH (more than 60,000 BTU total)</b>																	
JGCP548WP – 6 Burners & Griddle	★	—	—	—	—	—	—	—	—	—	—	—	—	—	★	—	—
<b>36-INCH (less than 60,000 BTU total)</b>																	
JGCP536WP – 4 Burners & Griddle	★	★	—	■	■	■	—	■	■	—	■	■	—	—	★	★	—
<b>36-INCH (more than 60,000 BTU total)</b>																	
JGCP436WP – 6 Burners	★	★	—	—	—	—	—	—	—	—	—	—	—	—	★	—	—
<b>30-INCH (less than 60,000 BTU total)</b>																	
JGCP430WP – 4 Burners	■	★	★	■	■	■	■	■	■	■	■	■	■	—	★	★	—
<b>48-INCH (less than 60,000 BTU total)</b>																	
JGD8348CDP – 4 Burners & Grill Assembly	—	—	—	—	—	—	—	—	—	—	—	—	—	—	★	—	—
<b>PRO-STYLE® DUAL-FUEL AND GAS RANGES</b>																	
<b>48-INCH (more than 60,000 BTU total)</b>																	
JDRP548WP – 6 Burners & Griddle	★	—	—	—	—	—	—	—	—	—	—	—	—	—	★	—	—
JGRP548WP – 6 Burners & Griddle	★	—	—	—	—	—	—	—	—	—	—	—	—	—	★	—	—
<b>36-INCH (less than 60,000 BTU total)</b>																	
JDRP536WP – 4 Burners & Griddle	★	★	—	■	■	■	—	■	■	—	■	■	—	—	★	★	—
JGRP536WP – 4 Burners & Griddle	★	★	—	■	■	■	—	■	■	—	■	■	—	—	★	★	—
<b>36-INCH (more than 60,000 BTU total)</b>																	
JDRP436WP – 6 Burners	★	★	—	—	—	—	—	—	—	—	—	—	—	—	★	—	—
JGRP436WP – 6 Burners	★	★	—	—	—	—	—	—	—	—	—	—	—	—	★	—	—
<b>30-INCH (less than 60,000 BTU total)</b>																	
JDRP430WP – 4 Burners	—	★	★	—	■	■	■	■	■	■	■	■	■	—	★	★	—
JGRP430WP – 4 Burners	—	★	★	—	■	■	■	■	■	■	■	■	■	—	★	★	—
<b>SLIDE-IN RANGES</b>																	
<b>Dual-Fuel and Gas Conventional (less than 60,000 BTU total)</b>																	
JDS886BDP – 4 Burners	■	★	★	■	★	★	★	★	★	★	★	■	■	—	★	★	■
JDS8850CD – 4 Burners	■	■	■	■	★	★	★	★	★	★	★	■	■	—	★	★	■
JGS8860BDP – 4 Burners	■	★	★	■	★	★	★	★	★	★	★	■	■	—	★	★	■
JGS8850CD – 4 Burners	■	■	■	■	★	★	★	★	★	★	★	★	★	—	★	★	■
<b>ELECTRIC CONVENTIONAL</b>																	
JES8850CA – 5 Elements	■	■	■	■	★	★	★	★	★	★	★	■	■	—	★	★	■

A. Custom hood liners can be used with any of the following blower motors: UXB1200DYS, UXB0600DYS, UXI1200DYS or UXI0600DYS.  
 B. Blower motor UXB0600DYS is rated for up to 65,000 BTUs and can be used with the rangetops and ranges indicated.

KEY	
★	Style and Performance Pair
■	Performance Pair
—	Not Recommended

