



# 15" (38.1 CM) GAS COOKTOP INSTALLATION INSTRUCTIONS

## Table of Contents

<b>COOKTOP SAFETY</b> .....	<b>1</b>
<b>INSTALLATION REQUIREMENTS</b> .....	<b>4</b>
Tools and Parts.....	4
Location Requirements.....	4
Electrical Requirements.....	6
Gas Supply Requirements.....	6
<b>INSTALLATION INSTRUCTIONS</b> .....	<b>8</b>
Prepare Cooktop for Installation.....	8
Install Cooktop.....	8
Make Gas Connection.....	9
Complete Installation.....	10

## COOKTOP SAFETY

### Your safety and the safety of others are very important.

We have provided many important safety messages in this manual and on your appliance. Always read and obey all safety messages.



This is the safety alert symbol.

This symbol alerts you to potential hazards that can kill or hurt you and others.

All safety messages will follow the safety alert symbol and either the word "DANGER" or "WARNING."

These words mean:

**⚠ DANGER**

**You can be killed or seriously injured if you don't immediately follow instructions.**

**⚠ WARNING**

**You can be killed or seriously injured if you don't follow instructions.**

All safety messages will tell you what the potential hazard is, tell you how to reduce the chance of injury, and tell you what can happen if the instructions are not followed.

### IMPORTANT:

**Installer:** Leave installation instructions with the homeowner.

**Homeowner:** Keep installation instructions for future reference.

# IMPORTANT SAFETY INSTRUCTIONS

**WARNING:** To reduce the risk of fire, electrical shock, injury to persons, or damage when using the cooktop, follow basic precautions, including the following:

## **WARNING**

NEVER use this appliance as a space heater to heat or warm the room. Doing so may result in carbon monoxide poisoning and overheating of the cooktop.

- **WARNING:** Danger of fire: Do not store items on the cooking surfaces. Never leave anything on the surface when unattended and not in use. Never place flammable or plastic items on or near the surface.
- **CAUTION:** Do not store items of interest to children in cabinets above the cooktop – children climbing on the cooktop to reach items could be seriously injured.
- **Do Not Leave Children Alone -** Children should not be left alone or unattended in area where appliance is in use. They should never be allowed to sit or stand on any part of the appliance.
- **Wear Proper Apparel –** Loose-fitting or hanging garments should never be worn while using the appliance.
- **User Servicing –** Do not repair or replace any part of the appliance unless specifically recommended in the manual. All other servicing should be referred to a qualified technician.
- **Do Not Use Water on Grease Fires –** Smother fire or flame or use dry chemical or foam-type extinguisher.
- **Use Only Dry Potholders –** Moist or damp potholders on hot surfaces may result in burns from steam. Do not let potholder touch hot surface units. Do not use a towel or other bulky cloth.
- **Never Leave Surface Units Unattended at High Heat Settings –** Boilover causes smoking and greasy spillovers that may ignite.
- **Glazed Cooking Utensils –** Only certain types of glass, glass/ceramic, ceramic, earthenware, or other glazed utensils are suitable for range-top service without breaking due to the sudden change in temperature.
- **Utensil Handles Should Be Turned Inward and Not Extend Over Adjacent Surface Units –** To reduce the risk of burns, ignition of flammable materials, and spillage due to unintentional contact with the utensil, the handle of a utensil should be positioned so that it is turned inward, and does not extend over adjacent surface units.

- Do not use replacement parts that have not been recommended by the manufacturer (e.g. parts made at home using a 3D printer).
- **Clean Cooktop With Caution –** If a wet sponge or cloth is used to wipe spills on a hot cooking area, be careful to avoid steam burn. Some cleaners can produce noxious fumes if applied to a hot surface.
- **Do Not Heat Unopened Food Containers –** Build-up of pressure may cause container to burst and result in injury.
- **Proper Installation -** The appliance, when installed, must be electrically grounded in accordance with local codes, or in the absence of local codes, with the *National Electrical Code, ANSI/NFPA 70* or the *Canadian Electrical Code, CSA C22.1*. In Canada, the appliance must be electrically grounded in accordance with Canadian Electrical Code. Be sure your appliance is properly installed and grounded by a qualified technician.
- This cooktop is equipped with a three-prong grounding plug for your protection against shock hazard and should be plugged directly into a properly grounded receptacle. Do not cut or remove the grounding prong from this plug.
- Disconnect the electrical supply before servicing the cooktop.
- Injuries may result from the misuse of the cooktop such as stepping, leaning, or sitting on the top surface.
- **Maintenance –** Keep cooktop area clear and free from combustible materials, gasoline, and other flammable vapors and liquids.
- Top burner flame size should be adjusted so it does not extend beyond the edge of the cooking utensil. This instruction is based on safety considerations.

### **For units with ventilating hood –**

- **Clean Ventilating Hoods Frequently –** Grease should not be allowed to accumulate on hood or filter.
- When flaming foods under the hood, turn the fan on.

### **For smart enabled ranges and ovens**

- **Remote operation –** This appliance is configurable to allow remote operation at any time. Do not store any flammable materials or temperature sensitive items inside, on top or near surface units of the appliance.

**SAVE THESE INSTRUCTIONS**

**WARNING:** If the information in these instructions is not followed exactly, a fire or explosion may result causing property damage, personal injury or death.

- Do not store or use gasoline or other flammable vapors and liquids in the vicinity of this or any other appliance.
- **WHAT TO DO IF YOU SMELL GAS:**
  - Do not try to light any appliance.
  - Do not touch any electrical switch.
  - Do not use any phone in your building.
  - Immediately call your gas supplier from a neighbor's phone. Follow the gas supplier's instructions.
  - If you cannot reach your gas supplier, call the fire department.
- Installation and service must be performed by a qualified installer, service agency or the gas supplier.

**WARNING:** Gas leaks cannot always be detected by smell.  
Gas suppliers recommend that you use a gas detector approved by UL or CSA.  
For more information, contact your gas supplier.  
If a gas leak is detected, follow the "What to do if you smell gas" instructions.

**IMPORTANT:** Do not install a ventilation system that blows air downward toward this gas cooking appliance. This type of ventilation system may cause ignition and combustion problems with this gas cooking appliance resulting in personal injury or unintended operation.

In the State of Massachusetts, the following installation instructions apply:

- Installations and repairs must be performed by a qualified or licensed contractor, plumber, or gas fitter qualified or licensed by the State of Massachusetts.
- Acceptable Shut-off Devices: Gas Cocks and Ball Valves installed for use shall be listed.
- A flexible gas connector, when used, must not exceed 4 feet (121.9 cm).

 **WARNING:**

**Never Operate the Top Surface Cooking Section of this Appliance Unattended**

- Failure to follow this warning statement could result in fire, explosion, or burn hazard that could cause property damage, personal injury, or death.
- If a fire should occur, keep away from the appliance and immediately call your fire department.

**DO NOT ATTEMPT TO EXTINGUISH AN OIL/GREASE FIRE WITH WATER.**

# INSTALLATION REQUIREMENTS

## Tools and Parts

Gather the required tools and parts before starting installation.

### Tools needed

- Tape measure
- Flat-blade screwdriver
- #2 Phillips screwdriver
- 15/16" (24 mm) combination wrench
- Pipe wrench
- Channel lock pliers
- Marker or pencil
- Pipe-joint compound resistant to Propane gas
- Noncorrosive leak-detection solution

### Parts supplied

- Gas pressure regulator
- Burner grates (1)
- Burner bases:  
Single burner units (1)  
Double burner units (2)
- Burner caps (2)
- Clamp brackets (2)
- 2 1/2" (6.4 cm) clamping screws (2)
- Foam tape seal
- Propane conversion kit - W11027216
- Mounting bridge kit: W11031680

### Parts needed

Check local codes and consult gas supplier. Check existing gas supply and electrical supply. See the "Electrical Requirements" and "Gas Supply Requirements" sections.

## Location Requirements

**IMPORTANT:** Observe all governing codes and ordinances. Do not obstruct flow of combustion and ventilation air.

- It is the installer's responsibility to comply with installation clearances specified on the model/serial/rating plate. The model/serial/rating plate is located on the underside of the cooktop burner box.
- Do not unpack the burner grate and base(s) until after the cooktop is installed to avoid scratching the cooktop.
- The cooktop should be installed in a location away from strong draft areas, such as windows, doors, and strong heating vents or fans.
- All openings in the wall or floor where cooktop is to be installed must be sealed.
- Cabinet opening dimensions that are shown must be used. Given dimensions are minimum clearances.
- Grounded and polarized electrical supply is required. See the "Electrical Requirements" section.
- Proper gas supply connection must be available. See the "Gas Supply Requirements" section.
- The gas and electric supply should be located as shown in "Gas and Electric Connection Locations" in the "Location Requirements" section so that they are accessible without requiring removal of the cooktop.

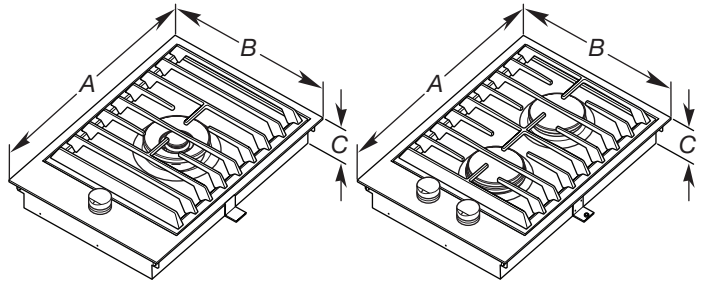
**IMPORTANT:** To avoid damage to your cabinets, check with your builder or cabinet supplier to make sure that the materials used will not discolor, delaminate, or sustain other damage.

## Mobile Home - Additional Installation Requirements

The installation of this cooktop must conform to the Manufactured Home Construction and Safety Standard, Title 24 CFR, Part 3280 (formerly the Federal Standard for Mobile Home Construction and Safety, Title 24, HUD Part 280). must conform with state or other codes or, in the absence of such codes, with the Standard for Recreational Park Trailers, ANSI A119.5.

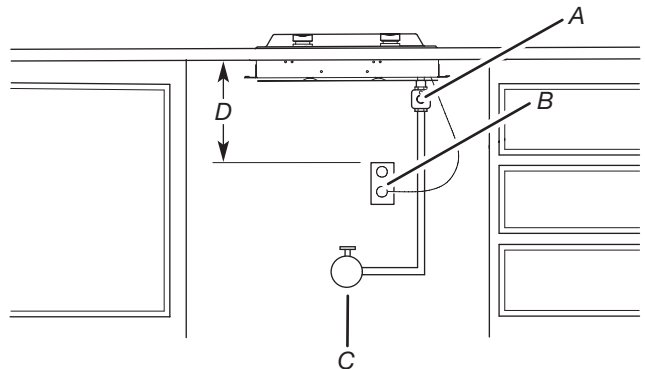
In Canada, the installation of this cooktop must conform with the current standards CAN/CSA-A240—latest edition, or with local codes.

## Product Dimensions



- A. 21" (53.3 cm)
- B. 15" (38.1 cm)
- C. 3 1/4" (8.3 cm)

## Gas and Electric Connection Locations

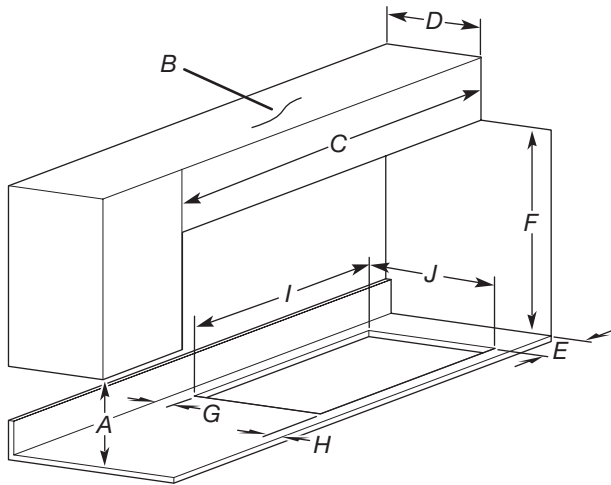


- A. Gas pressure regulator (supplied) - arrow pointed toward cooktop
- B. 3 prong grounding type outlet with correct polarity
- C. Gas shut-off valve
- D. 18" (45.7 cm) minimum

**NOTE:** Each unit must have a separate regulator (supplied).

## Installation Clearances

**IMPORTANT:** If installing a range hood or microwave hood combination above the cooking surface, follow the range hood or microwave hood combination installation instructions for dimensional clearances above the cooktop surface.



- A. 18" (45.7 cm) minimum clearance upper cabinet to countertop
- B. Cabinet
- C. See the Multi-Unit Dimensions table.
- D. 13" (33 cm) maximum recommended upper cabinet depth
- E. 6" (15.2 cm) minimum side wall clearance
- F. 30" (76.2 cm) minimum clearance between top of cooktop platform and bottom of uncovered wood or metal cabinet (24" [61 cm] minimum clearance if bottom of wood or metal cabinet is covered by not less than 1/4" [0.6 cm] flame retardant millboard covered with not less than No. 28 MSG sheet steel, 0.015" [0.04 cm] stainless steel, or 0.024" [0.06 cm] aluminum or 0.020" [0.05 cm] copper)
- G. 2<sup>5</sup>/<sub>16</sub>" (5.9 cm) minimum distance to rear combustibile surface
- H. 2<sup>5</sup>/<sub>16</sub>" (5.9 cm) minimum distance to front countertop edge
- I. See the Multi-Unit Dimensions table.
- J. Cutout depth - 20<sup>3</sup>/<sub>8</sub>" (51.8 cm)

## Multi-Unit Dimensions

Units	Upper Cabinet Width (C)	Cutout Width (I)
One 15" (38.1 cm) unit	15" (38.1 cm)	14 <sup>3</sup> / <sub>8</sub> " (36.5 cm)
Two 15" (38.1 cm) units	30" (76.2 cm)	29 <sup>3</sup> / <sub>8</sub> " (74.6 cm)
Three 15" (38.1 cm) units	45" (114.3 cm)	44 <sup>7</sup> / <sub>16</sub> " (112.9 cm)
Four 15" (38.1 cm) units	60" (152.4 cm)	59 <sup>7</sup> / <sub>16</sub> " (151.0 cm)
30" (76.2 cm) cooktop and one 15" (38.1 cm) unit	45" (114.3 cm)	44 <sup>3</sup> / <sub>8</sub> " (112.7 cm)
30" (76.2 cm) cooktop and two 15" (38.1 cm) units	60" (152.4 cm)	59 <sup>7</sup> / <sub>16</sub> " (151.0 cm)
36" (91.4 cm) cooktop and one 15" (38.1 cm) unit	51" (129.5 cm)	50 <sup>3</sup> / <sub>8</sub> " (128.0 cm)

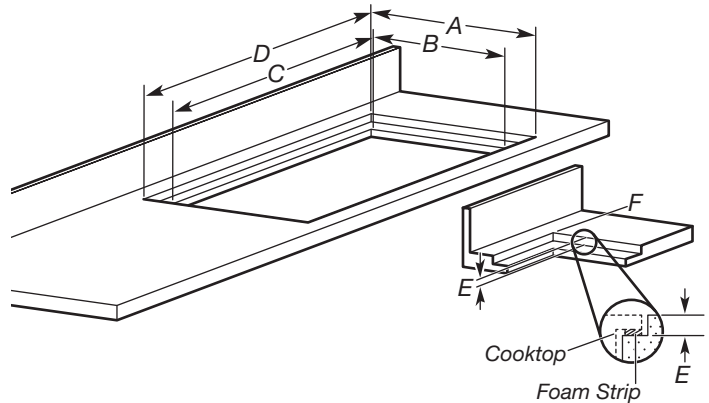
**NOTE:** After making the countertop cutout, some installations may require notching down the base cabinet side walls to clear the burner box. To avoid this modification, use a base cabinet with sidewalls wider than the cutout.

If cabinet has a drawer, a 4" (10.2 cm) depth clearance from the countertop to the top of the drawer (or other obstruction) in base cabinet is required. The drawer depth may need to be shortened to avoid interfering with the regulator and power cord.

## Flush Installation Dimensions

All cooktops can be mounted with a frameless standard installation sitting on top of the countertop surface or flush with the top of the countertop. If the cooktop is to be mounted flush with the countertop, a 11/64" (4.3 mm) deep recessed area surrounding the cooktop cutout must be provided with the following dimensions.

**NOTE:** This option is not recommended for countertops with a molded backsplash. Do not silicone seal in place.



- A. Recessed area length - 21<sup>3</sup>/<sub>16</sub>" (53.8 cm)
- B. Cutout length - 20<sup>3</sup>/<sub>8</sub>" (51.8 cm)
- C. See the Multi-Unit Flush Dimensions table.
- D. See the Multi-Unit Flush Dimensions table.
- E. Recessed area depth 11/64" (4.3 mm)
- F. Recessed area radius 5/64" (2.0 mm) maximum

## Multi-Unit Flush Dimensions

Units	Recessed Area Width (D)	Cutout Width (C)
One 15" (38.1 cm) unit	15 <sup>1</sup> / <sub>8</sub> " (38.4 cm)	14 <sup>3</sup> / <sub>8</sub> " (36.5 cm)
Two 15" (38.1 cm) units	30 <sup>1</sup> / <sub>8</sub> " (76.5 cm)	29 <sup>3</sup> / <sub>8</sub> " (74.6 cm)
Three 15" (38.1 cm) units	45 <sup>1</sup> / <sub>8</sub> " (114.6 cm)	44 <sup>7</sup> / <sub>16</sub> " (112.9 cm)
Four 15" (38.1 cm) units	60 <sup>1</sup> / <sub>8</sub> " (152.7 cm)	59 <sup>7</sup> / <sub>16</sub> " (151.0 cm)
30" (76.2 cm) cooktop and one 15" (38.1 cm) unit	45 <sup>1</sup> / <sub>8</sub> " (114.6 cm)	44 <sup>3</sup> / <sub>8</sub> " (112.7 cm)
30" (76.2 cm) cooktop and two 15" (38.1 cm) units	60 <sup>1</sup> / <sub>8</sub> " (152.7 cm)	59 <sup>7</sup> / <sub>16</sub> " (151.0 cm)
36" (91.4 cm) cooktop and one 15" (38.1 cm) unit	51 <sup>1</sup> / <sub>8</sub> " (129.9 cm)	50 <sup>3</sup> / <sub>8</sub> " (128.0 cm)

**IMPORTANT:** If multiple units are installed side by side, the mounting bridge kit W11031680 is needed for proper installation.

## Electrical Requirements

### **WARNING**



#### Electrical Shock Hazard

- Plug into a grounded 3 prong outlet.
- Do not remove ground prong.
- Do not use an adapter.
- Do not use an extension cord.
- Failure to follow these instructions can result in death, fire, or electrical shock.

**IMPORTANT:** The cooktop must be electrically grounded in accordance with local codes and ordinances, or in the absence of local codes, with the National Electrical Code NFPA 70 or the Canadian Electric Code, CSA C22.1-02.

This cooktop is equipped with an electronic ignition system that will not operate if plugged into an outlet that is not properly polarized.

This cooktop is equipped with an electronic ignition system that will not operate properly if plugged into a ground fault interrupt circuit.

If codes permit and a separate ground wire is used, it is recommended that a qualified electrical installer determine that the ground path is adequate.

A copy of the above code standards can be obtained from:

National Fire Protection Association  
1 Batterymarch Park  
Quincy, MA 02169-7471

CSA International  
8501 East Pleasant Valley Road  
Cleveland, OH 44131-5575

- Electronic ignition systems operate within wide voltage limits, but proper grounding and polarity are necessary. Check that the outlet provides 120 V power and is correctly grounded.
- This gas cooktop is not required to be plugged into a GFCI (Ground-Fault Circuit Interrupter) outlet or AFCI (Arc Fault Circuit Interrupter) type circuit breaker. It is recommended that you not plug an electric spark ignition gas cooktop or any other major appliance into a GFCI wall outlet or a AFCI breaker as it may cause these types of circuit breaker to trip during normal cycling.
- Performance of this cooktop will not be affected if operated on a GFCI/AFCI-protected circuit. However, occasional nuisance tripping of the GFCI/AFCI breaker is possible due to the normal operating nature of electronic gas cooktops.
- The wiring diagram is provided with this cooktop. It is located inside the cooktop burner box.

## Gas Supply Requirements

### **WARNING**



#### Explosion Hazard

- Use a new CSA International approved gas supply line.
- Install a shut-off valve.
- Securely tighten all gas connections.
- If connected to propane, have a qualified person make sure gas pressure does not exceed 14" (36 cm) water column.
- Examples of a qualified person include:  
licensed heating personnel,  
authorized gas company personnel, and  
authorized service personnel.
- Failure to do so can result in death, explosion, or fire.

Observe all governing codes and ordinances.

**IMPORTANT:** This installation must conform with all local codes and ordinances. In the absence of local codes, installation must conform with the National Fuel Gas Code, ANSI Z223.1/NFPA 54 or, in Canada, the Natural Gas and Propane Installation Code, CSA B149.1.

**IMPORTANT:** Leak testing of the cooktop must be conducted according to the manufacturer's instructions.

### Type of Gas

#### Natural Gas:

This cooktop is factory-set for use with Natural gas. To convert to Propane gas, see the Gas Conversion instructions provided in the package containing the literature. The model/serial/rating plate located on the underside of the burner box has information on the types of gas that can be used. If the types of gas listed do not include the type of gas available, check with the local gas supplier.

#### Propane Gas conversion:

Conversion must be done by a qualified service technician.

No attempt shall be made to convert the appliance from the gas specified on the model/serial/rating plate for use with a different gas without consulting the serving gas supplier. See the Gas Conversion instructions provided in the package containing the literature.

---

## Gas Supply Line

---

- Provide a gas supply line of 3/4" (1.9 cm) rigid pipe to the cooktop location. A smaller size pipe on longer runs may result in insufficient gas supply. Pipe-joint compounds that resist the action of Propane gas must be used. Do not use TEFLON<sup>†</sup> tape. With Propane gas, piping or tubing size can be 1/2" (1.6 cm) minimum. Usually, Propane gas suppliers determine the size and materials used in the system.

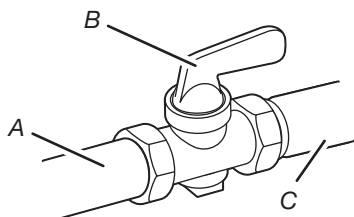
### Flexible metal appliance connector:

- If local codes permit, use a 5/8" (1.6 cm) flexible stainless steel tubing gas connector, designed by CSA to connect the cooktop to the rigid gas supply line.



**NOTE:** For multi-unit installations, a single shut-off valve is acceptable. Each unit must have its own regulator (supplied with the unit) and flexible stainless steel tubing gas connector.

- A 1/2" (1.3 cm) male pipe thread is needed for connection to the female pipe threads of the inlet to the appliance pressure regulator.
- Do not kink or damage the flexible metal tubing when moving the cooktop.
- Must include a shut-off valve:  
Install a manual gas line shut-off valve in an easily accessible location. Do not block access to shut-off valve. The valve is for turning on or shutting off gas to the cooktop.



- A. Gas supply line
- B. Shut-off valve open position
- C. To cooktop

---

## Gas Pressure Regulator

---

The gas pressure regulator supplied with this cooktop must be used. The inlet pressure to the regulator should be as follows for proper operation:

### Natural Gas:

Minimum pressure: 6" (15.2 cm) WCP  
Maximum pressure: 14" (35.5 cm) WCP

### Propane Gas:

Minimum pressure: 11" (27.9 cm) WCP  
Maximum pressure: 14" (35.5 cm) WCP

Contact local gas supplier if you are not sure about the inlet pressure.

**NOTE:** For multi-unit installations, each unit must have its own regulator (supplied with the unit).

---

## Burner Input Requirements

---

Input ratings shown on the model/serial/rating plate are for elevations up to 2,000 ft (609.6 m).

For elevations above 2,000 ft (609.6 m), ratings are reduced at a rate of 4% for each 1,000 ft (304.8 m) above sea level (not applicable for Canada).

For elevations above 6,560 ft (1999.5 m), a high altitude kit is needed to avoid any reduced power output. See separate Propane gas conversion instructions sheet.

---

## Gas Supply Pressure Testing

---

### Line pressure testing above 1/2 psi (3.5 kPa) gauge [14" (35.6 cm) WCP]

The appliance and its individual shut-off valve must be disconnected from the gas supply piping system during any pressure testing of that system at test pressures in excess of 1/2 psi (3.5 kPa).

### Line pressure testing at 1/2 psi (3.5 kPa) gauge [14" (35.6 cm) WCP] or lower

The appliance must be isolated from the gas supply piping system by closing its individual manual shut-off valve during any pressure testing of the gas supply piping system at test pressures equal to or less than 1/2 psi (3.5 kPa).

# INSTALLATION INSTRUCTIONS

## Prepare Cooktop for Installation

### **! WARNING**

#### **Excessive Weight Hazard**

**Use two or more people to move and install cooktop.**  
**Failure to do so can result in back or other injury.**

Write down the model and serial numbers before installing the cooktop. Both numbers are located on the center underside of the burner box.

Unpack the parts supplied with your cooktop. Do not unpack or remove the grate and burner base(s) from the carton until after the cooktop is installed to reduce the risk of scratching the cooktop.

The parts shipped with the cooktop depend on the model ordered. See the "Tools and Parts" section for a complete list of parts supplied with the cooktop.

Decide on the final location for the cooktop. Locate existing wiring to avoid drilling into or severing wiring during installation.

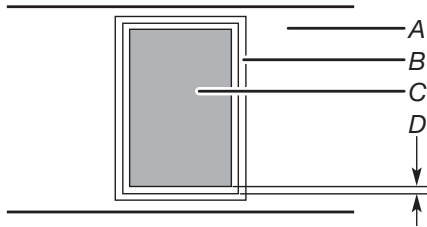
The pressure regulator and flexible stainless steel gas supply line can be assembled to the cooktop before or after the cooktop is installed. See the "Make Gas Connection" section.

1. Remove the foam strip from the hardware package. Remove the backing from the foam strip.

**For countertop installations:** Apply the foam strip with the adhesive side to the countertop within 1/16" (1.6 mm) of the edge of the cutout, front, back, and sides.

**For flush installations:** Apply the foam strip with the adhesive side to the bottom of the cutout recessed area. Save the excess foam strip for use with the mounting bridge kit.

**NOTE:** The foam strip helps keep the underside of the cooktop frame free from debris and helps the cooktop sit flat on uneven countertops. Do not silicone seal in place.



- A. Countertop
- B. Foam strip
- C. Cutout
- D. 1/16" (1.6 mm)

## Install Cooktop

Install the pressure regulator to the cooktop before installing the cooktop. See the "Make Gas Connections" section.

### Multi-unit installation

For multi-unit installations, a mounting bridge kit is required. See the "Tools and Parts" section.

### Cooktop over built-in oven

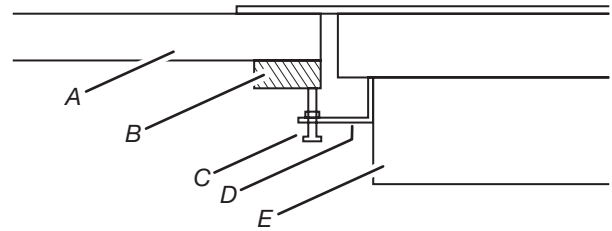
**IMPORTANT:** Clamping brackets should not be used.

1. Install the cooktop into the countertop cutout by tilting one end of the cooktop into the cutout, then lowering the other end into the cutout.

**NOTE:** Make sure that the front edge of the cooktop is parallel to the front edge of the countertop. If repositioning is needed, lift the entire cooktop up to avoid scratching the countertop.

### Install cooktop into countertop

1. Remove the two hold-down screws located in each side of the cooktop burner box.
2. Attach the two hold-down brackets to the burner box.
3. Install the cooktop into the countertop cutout by tilting one end of the cooktop into the cutout, then lowering the other end into the cutout.
4. Start the hold-down screws into the hold-down brackets.



- A. Countertop
- B. Wood block
- C. Hold-down screw
- D. Hold-down bracket
- E. Burner box

5. Center the cooktop in the opening and, using a wood block between the screw and the countertop, moderately tighten the screws to secure cooktop.

**IMPORTANT:** Do not tighten screws directly against the countertop.



## Make Gas Connection

### **! WARNING**



#### Explosion Hazard

Use a new CSA International approved gas supply line.

Install a shut-off valve.

Securely tighten all gas connections.

If connected to propane, have a qualified person make sure gas pressure does not exceed 14" (36 cm) water column.

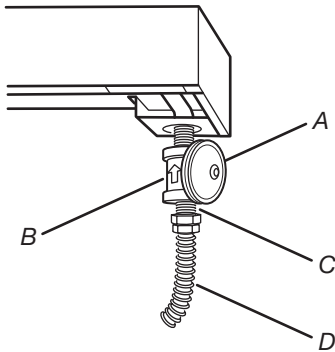
Examples of a qualified person include:

licensed heating personnel,  
authorized gas company personnel, and  
authorized service personnel.

Failure to do so can result in death, explosion, or fire.

#### To Assemble Pressure Regulator:

1. Install the pressure regulator with the arrow pointing up toward the bottom of the burner box and in a position where you can reach the regulator.



- A. Gas pressure regulator
- B. Up arrow - regulator must be installed with arrow pointing up at cooktop bottom.
- C. Adapter (must have 1/2" [1.3 cm] male pipe thread)
- D. UL Listed or CSA Approved flexible stainless steel gas supply line

**IMPORTANT:** All connections must be wrench-tightened. Do not make connections to the gas regulator too tight. Making the connections too tight may crack the regulator and cause a gas leak. Do not allow the regulator to turn on the pipe when tightening fittings.

2. Connect the flexible stainless steel connector to the pressure regulator using a 1/2" (1.3 cm) male pipe thread adapter.

A combination of pipe fittings must be used to connect the cooktop to the existing gas line. Shown in the following illustration is a typical connection. Your connection may be different, according to the supply line type, size, and location.

**NOTE:** When installing the cooktop above a built-in oven, install a 90° elbow - 1/2" (1.3 cm) female to 1/2" (1.3 cm) male between the cooktop manifold pipe and the pressure regulator. The regulator must be set with the arrow pointing toward the cooktop. Apply pipe joint compound for use with Propane gas to the end of the cooktop manifold pipe and the male end of the 90° elbow.

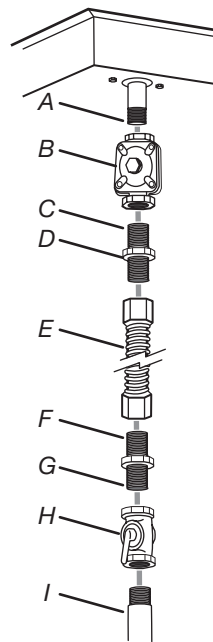
Use only pipe-joint compound made for use with Natural and Propane gas.

Do not use TEFLON® tape. You will need to determine the fittings required depending on your installation.

#### Typical flexible connection

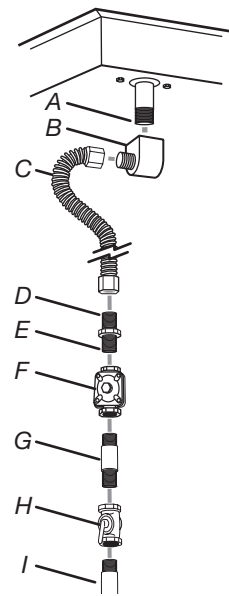
1. Apply pipe-joint compound made for use with Propane gas to the larger thread ends of the flexible connector adapters (see B and F in the following illustration).
2. Attach one adapter to the gas pressure regulator and the other adapter to the gas shut-off valve. Tighten both adapters.
3. Use a 15/16" (2.4 cm) combination wrench and channel lock pliers to attach the flexible connector to the adapters. Check that connector is not kinked.

#### No appliance/obstructions below cooktop



- A. Manifold entrance
- B. Gas pressure regulator
- C. Use pipe-joint compound.
- D. Adapter (must have 1/2" [1.3 cm] male pipe thread)
- E. Flexible connector
- F. Adapter
- G. Use pipe-joint compound.
- H. Manual gas shut-off valve
- I. 1/2" (1.3 cm) or 3/4" (1.9 cm) gas pipe

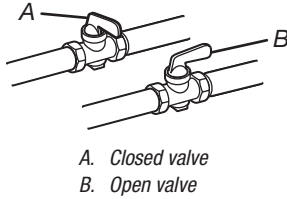
#### Suggested installation to avoid interference below cooktop



- A. Manifold entrance
- B. Elbow (1/2" [1.3 cm] female to 1/2" [1.3 cm] male)
- C. Flexible connector (pass through wall between cabinets)
- D. Adapter (must have 1/2" [1.3 cm] male pipe thread)
- E. Use pipe-joint compound.
- F. Appliance pressure regulator (supplied)
- G. 1/2" (1.3 cm) or 3/4" (1.9 cm) gas pipe
- H. Manual gas shut-off valve
- I. 1/2" (1.3 cm) or 3/4" (1.9 cm) gas pipe

## Complete Connection

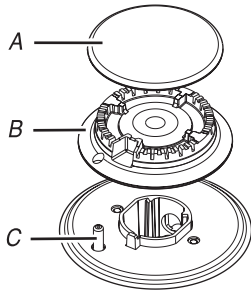
1. Open the manual shut-off valve in the gas supply line. The valve is open when the handle is parallel to the gas pipe.



2. Test all connections by brushing on an approved noncorrosive leak-detection solution. If bubbles appear, a leak is indicated. Correct any leak found.

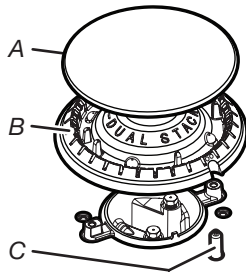
**NOTE:** When a single shut-off valve is used for a multi-unit installation, closing the valve will shut off the gas supply to all connected units.

3. Install all burner caps and burner bases.



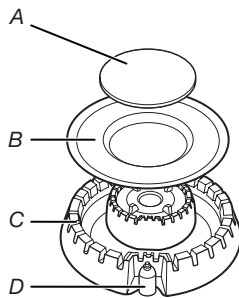
### Single Burner

- A. Cap  
B. Spreader  
C. Electrode



### Double Burner

- A. Cap  
B. Spreader  
C. Electrode



### Dual Flame Burner

- A. Inner cap  
B. Outer cap  
C. Spreader  
D. Electrode

## Single and Double Burner installation:

To install the spreader (B), insert the electrode (C) into the spreader hole. Install the cap (A) on the spreader (B).

## Dual Flame Burner:

Install the inner and outer caps (A and B) on the dual flame burner.

## Install surface grate:

The surface grate is positioned correctly when it sits level on the cooktop and does not rock or wobble.

## ⚠ WARNING



### Electrical Shock Hazard

Plug into a grounded 3 prong outlet.

Do not remove ground prong.

Do not use an adapter.

Do not use an extension cord.

Failure to follow these instructions can result in death, fire, or electrical shock.

4. Plug into a grounded 3 prong outlet.

## Complete Installation

### Electronic Ignition System

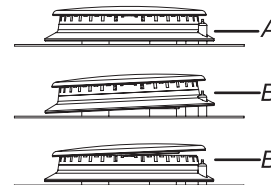
#### Check Operation of Surface Burners

1. Push in and turn the surface burner control knobs to IGNITE. The surface burner flame should light within 4 seconds. The first time a surface burner is lit, it may take longer than 4 seconds to light because of air in the gas line.
2. Turn the control knob to HI and check for a blue-colored flame. It should be clean and soft in character. No yellow tip, blowing, or lifting of flame should occur. Occasional orange flashes are normal and reflect different elements in the air or gas.
3. Repeat for LO.
 

**NOTE:** For the double burner, only the inner ring will have a flame.
4. Repeat for SIMMER.
5. After verifying the proper burner operation, turn the control knobs to OFF.

#### If burners do not light properly:

- Turn the surface burner control knob to OFF.
- Check that the power supply cord is plugged in and the circuit breaker has not tripped or the fuse blown.
- Check that the gas shut-off valve is set to the open position.
- Check that the burner bases and caps are properly positioned on the burners.



- A. Correct  
B. Incorrect

Recheck the operation of the surface burners. If a burner does not light at this point, call **1-800-JENNAIR (1-800-536-6247)**.

---

## Notes

---

## Notes

---

## Notes

---

## Notes

---

## Notes

